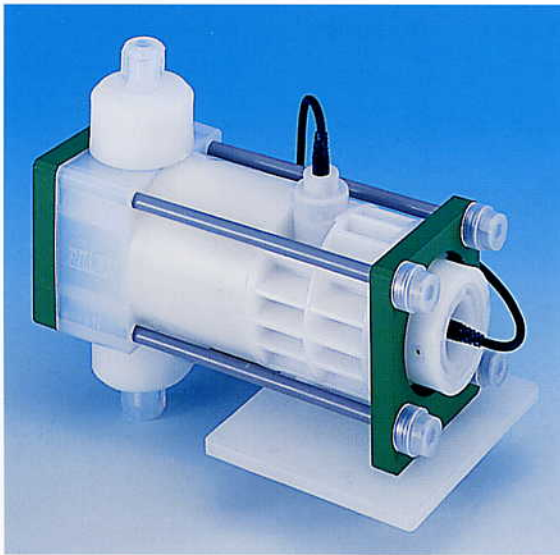


PW Series Bellows Metering Pump

The PW Series Bellows Metering Pump is designed for more precise chemical dispensing. High accuracy ($\pm 1\%$) is attainable without additional flow control valves, due to our exclusive corrugated valves (patent pending).



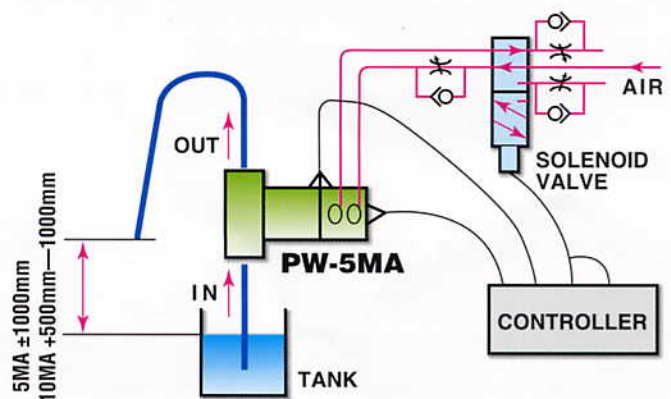
Features

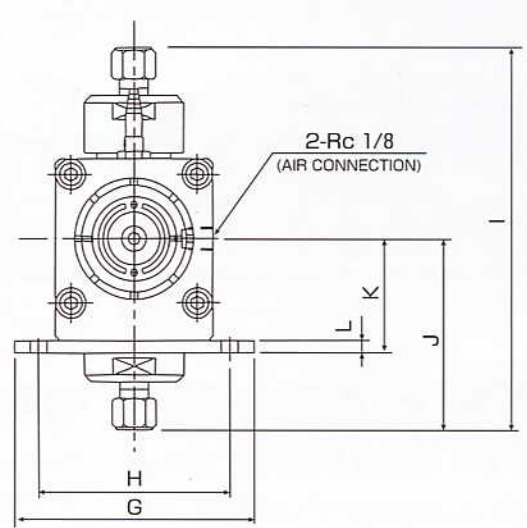
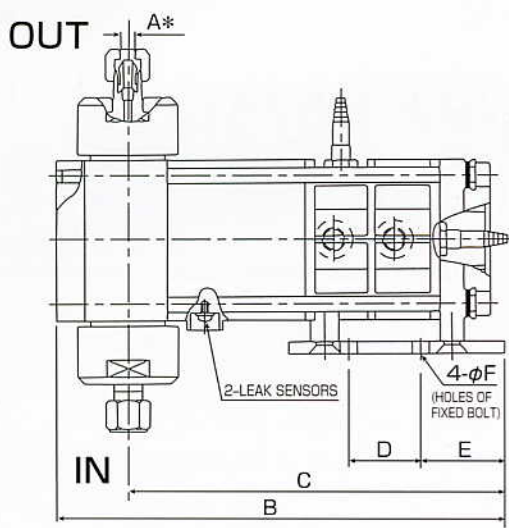
- High reliability PTFE bellows type pump with fixed stroke length.
- PTFE corrugated valve spring is free from mechanical fatigue by thermal cycle or bending.
- Flow rate variable from 10 to 100% of maximum by changing stroke speed.
- $\pm 1\%$ accuracy without any back pressure device.
- PB-9 Controller available for all PW Series Bellows Metering Pumps.

Specification

	PW-5MA	PW-10MA
Dispensing range	20-200ml/min	40-400ml/min
Dispensing/Stroke	5ml	10ml
Max discharge press	0.05MPa (7.14psi)	
Stroke speed	4 - 40spm	
Operating temperature	10 - 100°C (50 - 212°F)	

Recomendable layout





Dimension

Type	A*	B	C	D	E	φF	G	H	I		J		K	L
									SUPER TYPE	SUPER 300 TYPE	SUPER TYPE	SUPER 300 TYPE		
PW-5(10)MA (mm)	φ6×φ4 (φ10×φ8)	187	157	24	35	7	100	80	158 (178)	152 (183)	79 (89)	76 (91.5)	47	5
PW-5MA-SW2 (inch)	φ1/4×φ5/32	7.36	6.18	1.18	1.38	0.28	3.94	3.15	6.22	5.98	3.11	2.99	1.85	0.20
PW-10MA-SW3 (inch)	φ3/8×φ1/4	7.36	6.18	1.18	1.38	0.28	3.94	3.15	7.01	7.20	3.50	3.60	1.85	0.20

* SUPER TYPE PILLAR FITTING or SUPER 300 TYPE PILLAR FITTING

* Weight : PW-5 : 1.3kg (2.8lb), PW-10 : 1.5kg (3.3lb)

Model identification

PW-5 M A - S***

① ② ③ ④

- ① Capacity : 5 : 5ml/stroke
10 : 10ml/stroke
- ② Operating temperature range : M : 10~100°C
- ③ Version #
- ④ Custom model

Controller, PB-9



- 168W×150L×44H (mm)
- DC 24V
- 2.2 lb

NIPPON PILLAR PACKING CO., LTD.

Head Office: 11-48, Nonakaminami 2 Chome, Yodogawa-ku, Osaka, 532-0022 Japan.
Tel : 81-(0)6-6305-2821 Fax : 81-(0)6-6302-3300

Tokyo Office: 2-2, Uchisaiwaicho 2 Chome, Chiyoda-ku, Tokyo, 100-0011 Japan.
Tel : 81-(0)3-3508-1611 Fax : 81-(0)3-3508-1881

Nippon Pillar Corporation of America: 1562, Parkway Loop, Suite2C, Tustin, CA 92780, USA.
Tel : 1-714-258-7741 Fax : 1-714-258-7760

Nippon Pillar Singapore Pte, Ltd: 10 Toh Guan Road #09-01 TT International Tradepark Singapore 608838
Tel : (65)861-7138 Fax : (65)862-9098

Pillar Taiwan Semiconductor Work Shop: No.15 Lane 42, Ming-Yu 2 Street, Hsin-Chu, Taiwan. R.O.C.
Tel : 886-3-5785715 Fax : 886-3-5785716

Pillar Korea Semiconductor Work Shop: RM. 306, Youcheon Factopia 196, Anyang-Dong, Manan-Ku Anyang-Shi, Kyungki-Do. Korea.
Tel : 0343-467-2610 Fax : 0343-467-2612

Edwards Manufacturing Inc. (EMI) Service Shop: 2441 SE Stubb St. Milwaukie, Oregon 97222, USA.
Tel : 503-659-4198 Fax : 503-659-4696



URL
<http://www.pillar.co.jp/>

*Specifications and dimensions are subject to change without prior notice.

*The data on this catalogue are solely for your reference and are not to be construed as constituting a warranty.



• Read through and follow the instructions on the manual before installation and operation for your safety.